

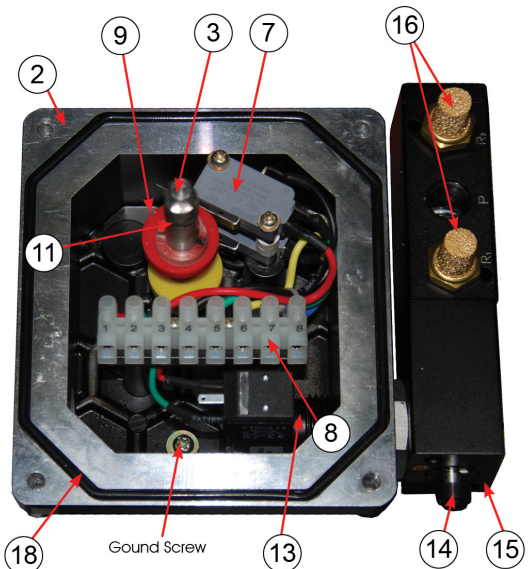
Automation & Controls Product Group of SVF Flow Controls, Inc.

NEXUS-LPX™ is a discrete valve controller providing an optimized solution for on/off valve control & position sensing in hazardous area locations for the process industries. Equipped with a low watt miniature pilot valve and position switches or sensors, the **NEXUS-LPX™** helps plants, platforms, and pipelines improve productivity and increase safety in the harshest environments and toughest applications.

NEXUS-LPX™ DESIGN FEATURES

- ▼ Integrated Solution (switches, sensors, pilot and spool valve in a single platform)
- ▼ Approved for Enclosure: DNV 09 ATEX 53807X, NEMA 7
- ▼ Area Classification: Ex II 2G Ex d IIB T6, IP66, Class 1, Zone 1 (Division 1), Groups A~D
- ▼ Suitable for use on rotary applications for double acting or spring return actuators
- ▼ NAMUR and ISO 5211 adjustable mounting bracket
- ▼ 5/2 Aluminum spool valve, anodized and polyester coated
- ▼ 1 x 3/4" NPT conduit entry
- ▼ Single pilot actuated, with manual operator (Cv=1.4)

SVF Flow Controls was named among this year's *Flow Control Innovation Awards* winners for the key innovations represented by our **NEXUS-LP/LPX** Integrated Solenoid Valve & Limit Switch System. Based on votes from readers of *Flow Control Magazine*, the **NEXUS-LP/LPX** was honored this year for novel features and contributions to the process of fluid movement, measurement and/or containment.



WORKING PRESSURE: 20 psi ~ 120 psi (1.5 bar ~ 8 bar)
 WORKING MEDIUM: Filtered and dried air
 TEMPERATURE RATING: -4°F ~ +185°F (-20°C ~ +85°C)

MATERIALS OF CONSTRUCTION

ITEM #	DESCRIPTION	MATERIALS SPECIFICATIONS (Additional options available)
1	BOX COVER	DIE CAST ALUMINUM
2	BOX HOUSING	DIE CAST ALUMINUM
3	SHAFT	STAINLESS STEEL
4	INDICATOR COVER	POLYCARBONATE
5	INDICATOR	ABS
6	INDICATOR FASTENERS	STAINLESS STEEL
7	SWITCHES	MECHANICAL SWITCHES
8	TERMINAL STRIP	POLYCARBONATE
9	CAMS	POLYCARBONATE
10	COVER FASTENERS	STAINLESS STEEL
11	SHAFT O-RING	BUNA "N"
12	INDICATOR O-RING	BUNA "N"
13	PILOT BASE	DIE CAST ALUMINUM
14	MANUAL OPERATOR	DIE CAST ALUMINUM
15	SPOOL VALVE	DIE CAST ALUMINUM
16	BREATHERS	COPPER ALLOY
17	MOUNTING BRACKET	CARBON STEEL
18	HOUSING O-RING	BUNA "N"

NEXUS-LPX™ DIMENSIONS, WEIGHT

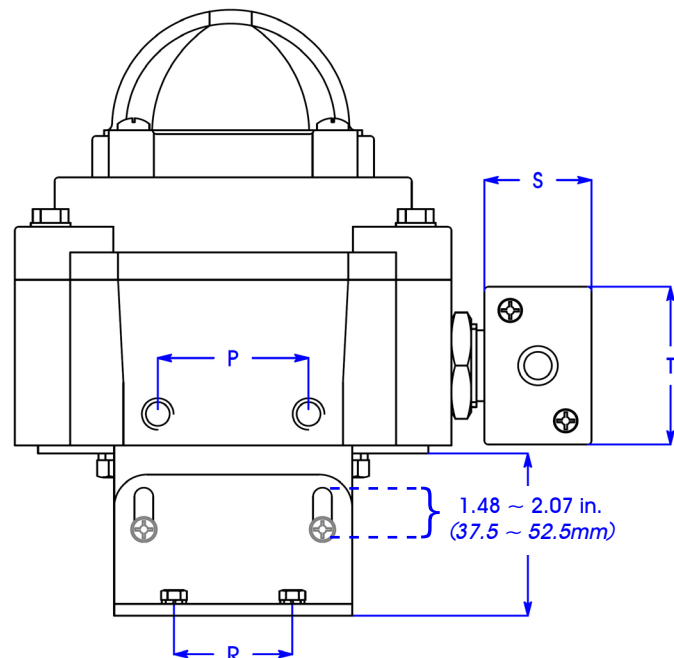
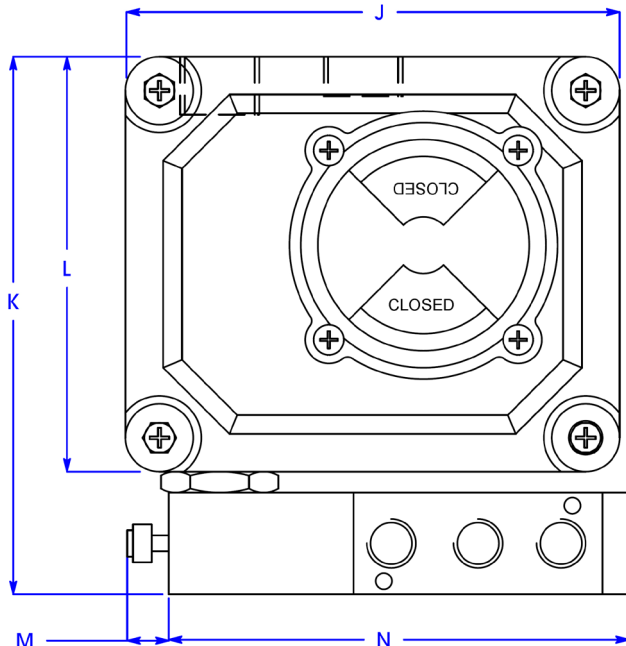
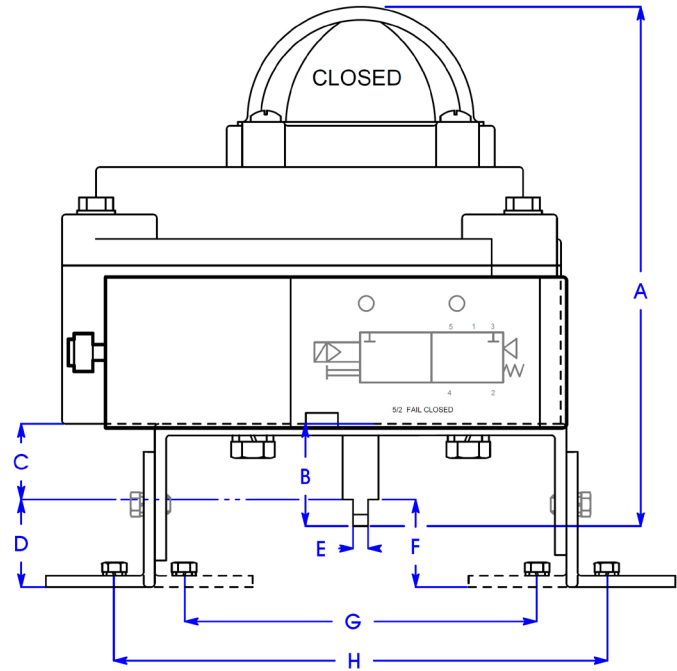
Item	Dimension	
	in.	mm
A	5.67	144
B	1.06	27
C	0.79	20
D	0.79	20
E	0.16	4
F	0.79	20
G	3.15	80
H	5.12	130
J	5.02	128
K	5.69	145
L	4.41	112
M	0.43	11
N	4.53	115
P	1.50	38
R	1.18	30
S	1.06	27
T	1.57	40

Weight:
2.5lbs. (1.13 kg)

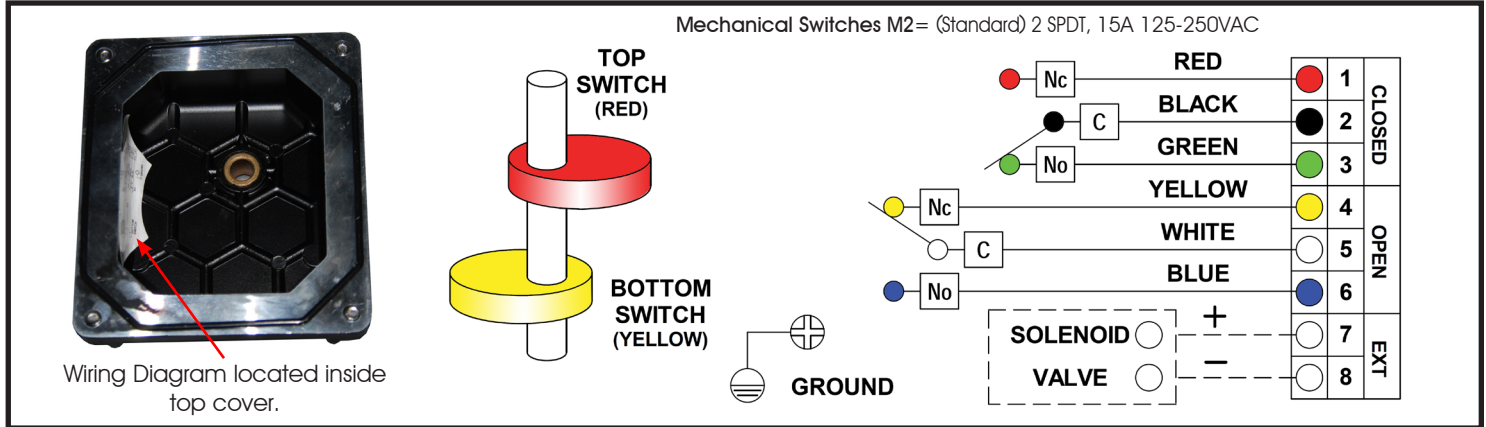
NEXUS-LPX
Discrete VALVE CONTROLLER





NEXUS-LPX™
Discrete Valve Controller
shown with *aero2*
actuator &
SVF B41C ANSI Class
150# Flanged Ball Valve.
(Shown with optional
stainless steel tubing)



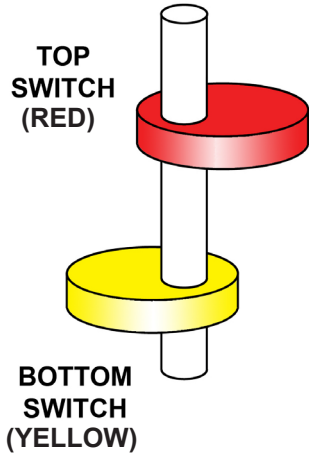
EXUS-LPX™ WIRING DIAGRAM



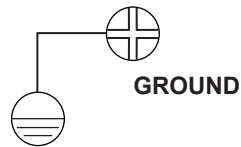
EXUS-LPX™ HOW TO ORDER GUIDE

SERIES	PILOT COIL	PILOT COIL VOLTAGE	SPOOL VALVE	SWITCHES/SENSORS	POSITION INDICATOR
NEXUSLPX= TWO POSITION DISCRETE VALVE CONTROLLER ATEX	C1 = (Standard) 15mm pilot, Orifice 1.1mm 12,24VDC (< 2.3W) 110,220VAC (< 2.8VA)	For Standard C1 4 = 110 VAC (< 2.8VA) (Standard) 1 = 12VDC (< 2.3 W) 2 = 24VDC (< 2.3 W) 5 = 220VAC (< 2.8VA)	S1 = Aluminum spool valve, 5/2 convertible to 3/2 with plug. Anodized and polyester coated. Single pilot actuated, with manual operator (Cv=1.4)	Mechanical Switches M2= (Standard) 2 SPDT 1.5A 125-250VAC Proximity Sensors (Optional) P2 = Inductive 2 wire 10-30VDC, < = 150mA or P3 = Inductive 3 wire 10-30VDC, < = 150mA or PP = p+f Inductive 2 wire NCB2-V3-NO 8VDC < = 1mA Magnetic Sensors (Optional) Q3 = 3 wire 5-240VAC/DC, < = 300mA	Leave Blank for Standard 90 degree Yellow Open, Red Closed L = Three Way "L" Yellow Base, Red Flow Bar  T = Three Way "T" Yellow Base, Red Flow Bar  Consult SVF for other options available
<p>Order Example: (NEXUSLPXC14S1M2)</p>					
<p>NEXUS-LPX two-position discrete valve controller for Hazardous Locations, C1 Pilot Coil (Standard), 110VAC (Standard), S1 Spool Valve, M2 Mechanical Switches (Standard), 90 Degree Open/Closed Position Indicator.</p>					
NEXUSLPX	C1	4	S1	M2	(BLANK)

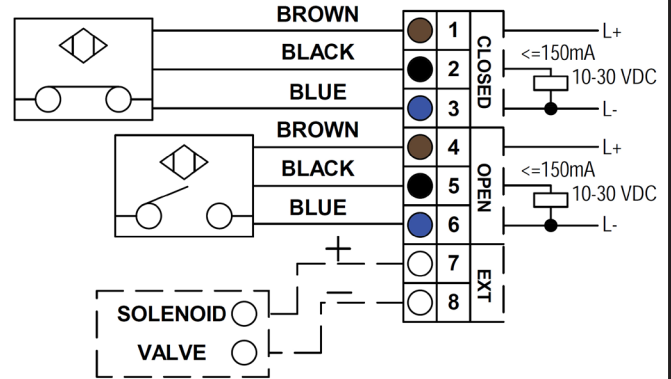
WIRING DIAGRAMS FOR OPTIONAL SWITCHES & SENSORS



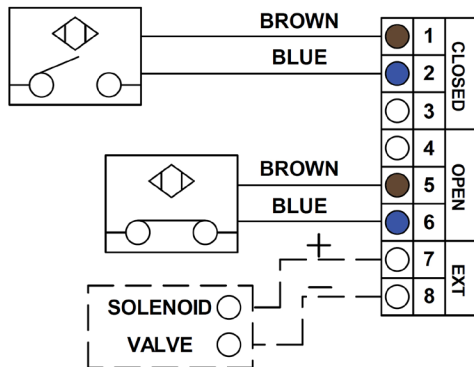
The configuration of the cam switches and ground applies to all *NEXUS-LP* Wiring Diagrams.



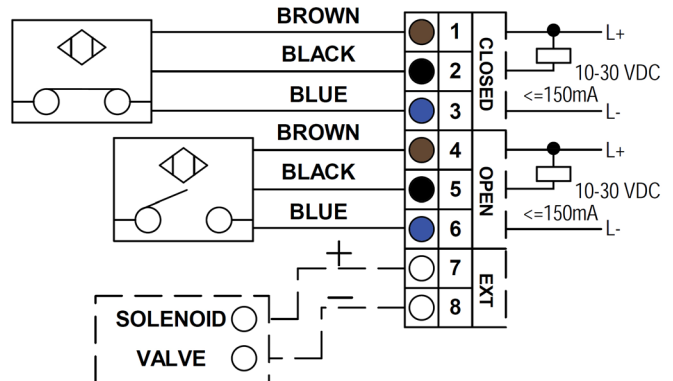
Proximity Sensor P3 (PNP NO) = Inductive 3 wire 10-30VDC, <=150mA



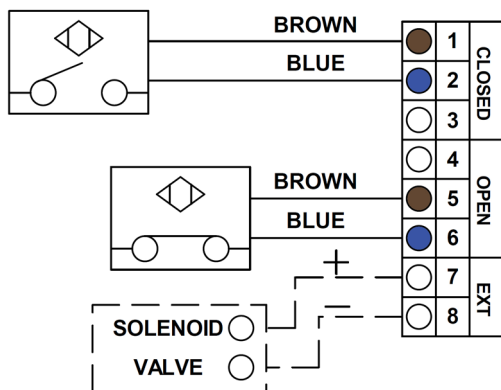
Proximity Sensor P2 = Inductive 2 wire 10-30VDC, <=150mA



Proximity Sensor P3 (NPN NO) = Inductive 3 wire 10-30VDC, <=150mA



Proximity Sensor PP = p+f Inductive, 2 wire NCB2-V3-NO 8VDC, <= 1mA



Magnetic Sensor Q3 = 3 wire, 5-240VAC/DC, <=300mA

